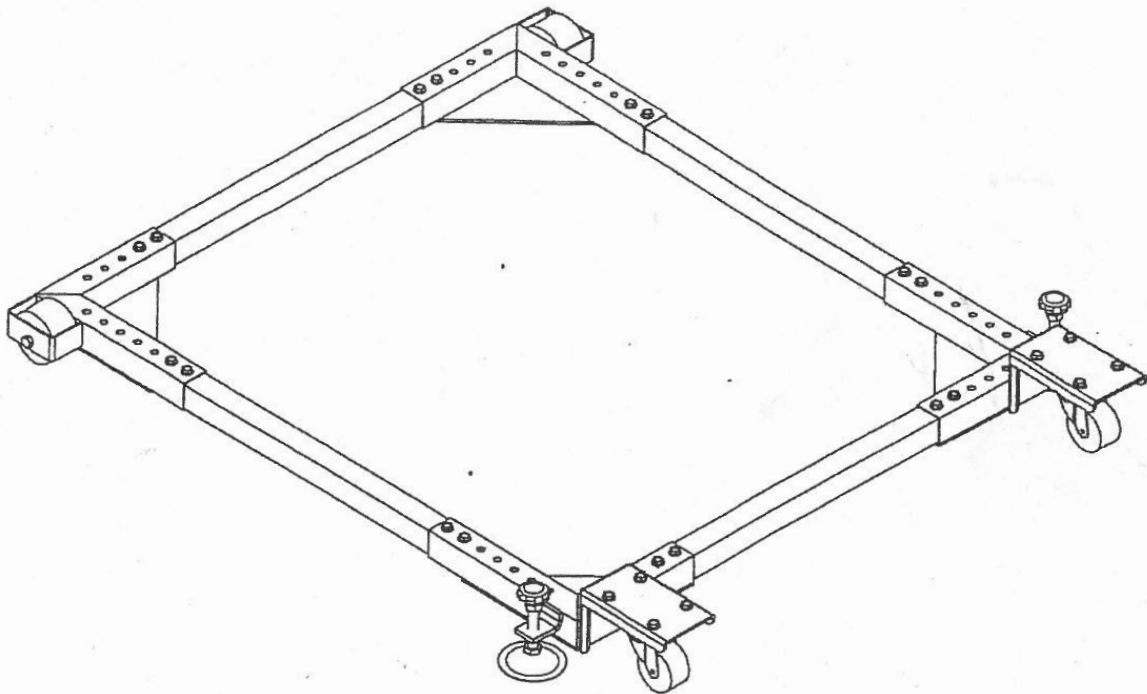


**OWNER'S
OPERATING MAUAL**

HEAVY DUTY MOBILE BASE



SPECIFICATION:

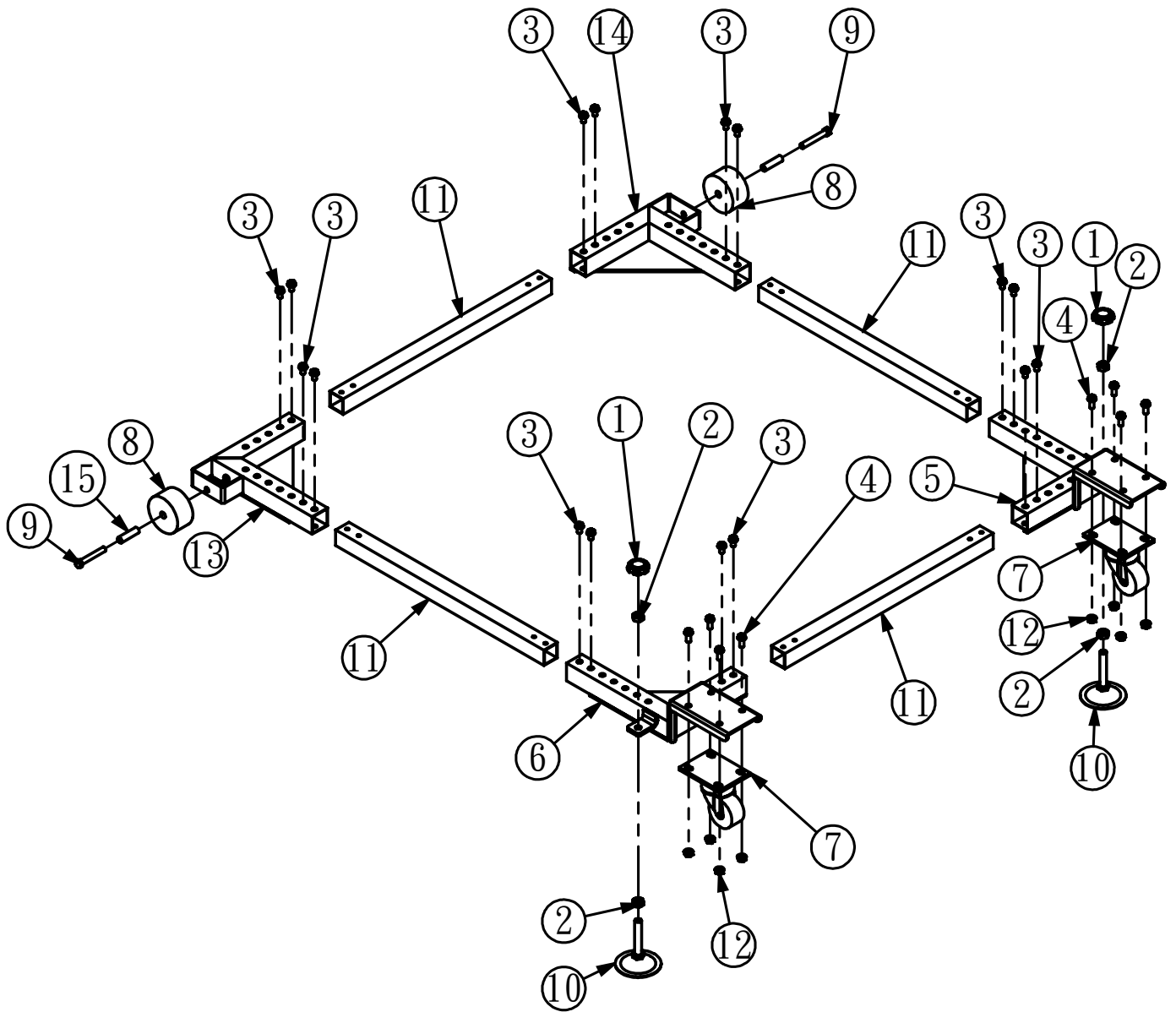
Steel Frame, 454 kg Load Capacity

Minimum Square Size: 580mm x 580mm

Maximum Square Size: 750mm x 750mm

Minimum Rectangular Size: 610mm x 580mm

Maximum Rectangular Size: 850mm x 750mm



N0	Descriptino	Specification	Q' TY
1	Knob	1/2"	2
2	Hex NUT	1/2"-12UNC	4
3	Fiange Bolt	5/16" x1/2"	16
4	Flange Bolt	5/16" *3/4"	8
5	Right Caster Mounting Bracket		1
6	Left Caster Mounting Bracket		1
7	Caster Assembly		2
8	Fixed wheel	3" x2"	2
9	Hex Bolt	3/8" x2-1/2"	2
10	Foot Pad Screw	1/2" -12UNCx3"	2
11	Connecting rods	044-4316	4
12	Brimmed nut	5/16' '	8
13	Rear Bracket(Right)		1
14	Rear Bracket(Left)		1
15	Casing		2
16	Shaft	∅10x1-3/4"	2

SAFETY RULES

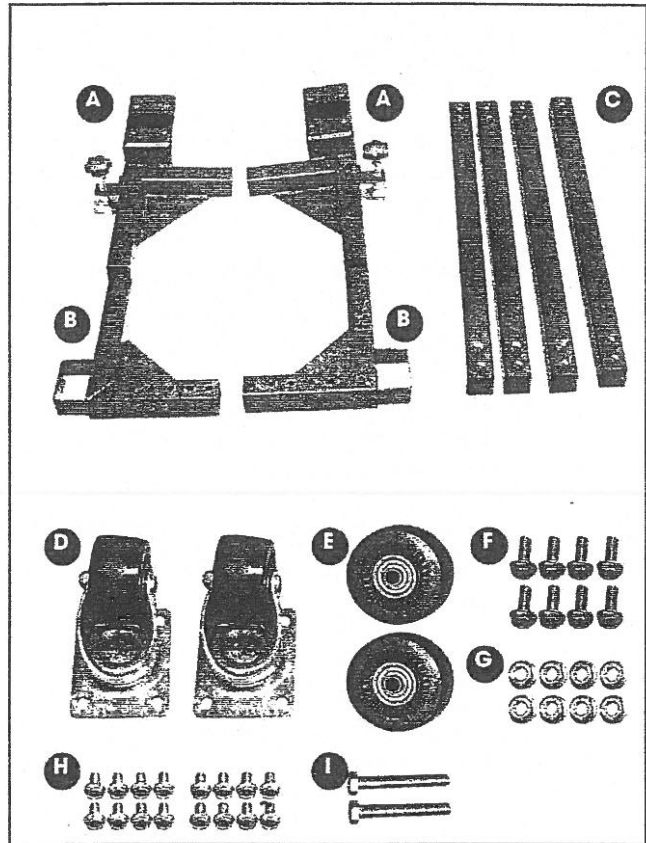
1. **READ AND BECOME FAMILIAR** with the entire operating manual.
2. **KEEP GUARDS AND COVER** in place and in working order.
3. **ALWAYS USE SAFETY GLASSES.** Also use face or dust mask if cutting operations is dusty. Everyday eyeglasses only have impact resistant lenses; they are not safety glasses.
4. **KEEP WORK AREA CLEAN.** Cluttered areas and benches invite accidents.
5. **DON'T FORCE TOOL.** It will do a better and safer job at the rate for which it was designed.
6. **AVOID ACCIDENTAL STARTING.** Make sure switch is in "OFF" position before plugging in cord.
7. **DISCONNECT TOOLS BEFORE SERVICING** and when changing accessories such as blades, bits, cutters.
8. **DON'T OVERREACH.** Keep your proper footing and balance at all times. For best footing wear rubber soled footwear. Keep floor clear of oil, scrap wood, etc.
9. **WEAR PROPER APPAREL.** Loose clothing or jewelry may get caught in moving parts. Wear protective hair covering to contain long hair.
10. **MAKE WORKSHOP KIDPROOF.** Place a padlock on the switch when blade saw is not in use and store the key in a safe location.
11. **REMOVE ADJUSTING KEYS AND WRENCHES.** Form habit of checking to see that keys and adjusting wrenches are removed from tool before turning it on.
12. **AVOID DANGEROUS ENVIRONMENT.** Don't use power tools in damp or wet locations. Keep your work area well illuminated *DO NOT USE* in explosive atmosphere (around paint, flammable liquids, etc.)
13. **KEEP CHILDREN AWAY.** All visitors should be kept a safe distance from work area, especially while operating unit.
14. **USE THE PROPER TOOL.** Don't force tool or attachment to do a job for which it was not designed.
15. **MAINTAIN TOOLS IN TOP CONDITION.** Keep tools sharp and clean for best and safest performance. Follow instructions for lubricating and changing accessories.
16. **SECURE WORK.** Use clamps or a vise to hold work, when practical. It's safer than using your hand and prevents round or irregularly shaped pieces from turning.
17. **CHECK DAMAGED PARTS.** Before further use of the tool, a guard or other part that is damaged should be checked to assure that it will operate properly and perform its intended function—check for alignment of moving parts, breakage of parts, mounting, any other conditions that may affect its operations. A guard or other part that is damaged should be properly repaired or replaced.
18. **USE RECOMMENDED ACCESSORIES**—Consult Owner's Manual. Use of improper accessories could be hazardous.
19. **NEVER STAND ON TOOL.** Injury could occur from a fall.
20. **NEVER LEAVE TOOL RUNNING AND UNATTENDED.**
21. **ALWAYS REMOVE CORD PLUG** from electrical outlet when adjusting, changing parts or working on tool.

UNPACKING

Remove all parts and components from the box and check for damaged or missing items as per the list of contents below.

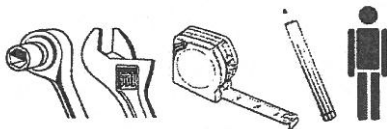
NOTE: PLEASE REPORT ANY DAMAGED OR MISSING ITEMS TO YOUR GENERAL® INTERNATIONAL DISTRIBUTOR IMMEDIATELY.

LIST OF CONTENTS	QTY
A. CASTER MOUNTING BRACKET (LEFT AND RIGHT)	2
B. FIXED WHEEL MOUNTING BRACKET (LEFT AND RIGHT)	2
C. SUPPORT TUBE	4
D. CASTER ASSEMBLY	2
E. FIXED WHEEL	2
F. FLANGED HEX HEAD BOLT (LONG)	8
G. FLANGED NUT	8
H. FLANGED HEX HEAD BOLT (SHORT)	16
I. HEX HEAD BOLT	2



REQUIREMENTS FOR ASSEMBLY AND SET UP

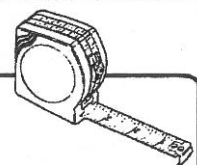
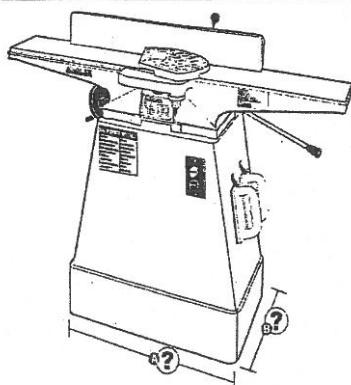
- Socket wrench kit
- Adjustable wrench
- Tape measure
- Pen or Pencil
- An extra person for help with lifting



ASSEMBLY INSTRUCTIONS



MAXIMUM RATED LOAD CAPACITY OF THIS MOBILE BASE IS 1000 LBS (450 KG). SURPASSING THE RATED LOAD CAPACITY CAN LEAD TO MOBILE BASE FAILURE, SERIOUS PERSONAL INJURY AND/OR DAMAGE TO YOUR MACHINE.

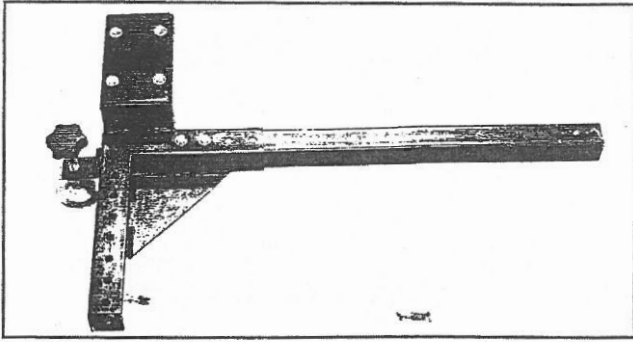


A _____

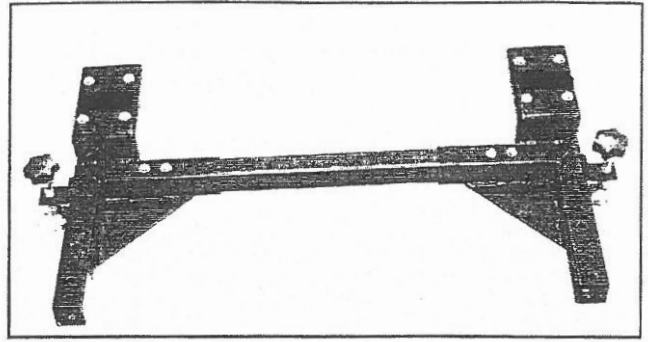
B _____

1. Before starting to assemble the mobile base, take note of the outside measurements of your machine.

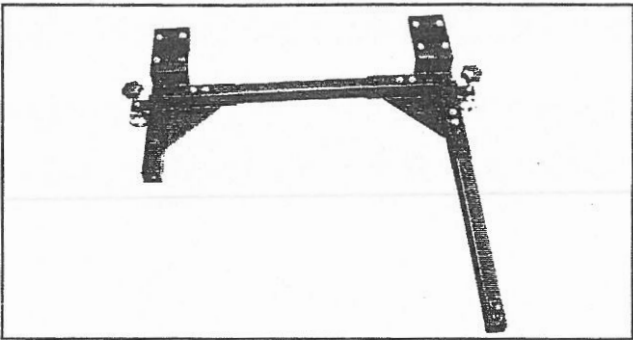
NOTE: A JOINTER IS DEPICTED IN THIS EXAMPLE FOR ILLUSTRATION PURPOSES ONLY. YOU CAN USE YOUR 50-035 MOBILE BASE ON ANY OPEN OR CLOSED BASE MACHINERY WITHIN THE MINIMUM AND MAXIMUM SQUARE OR RECTANGULAR SIZES AS LISTED ON THE COVER PAGE.



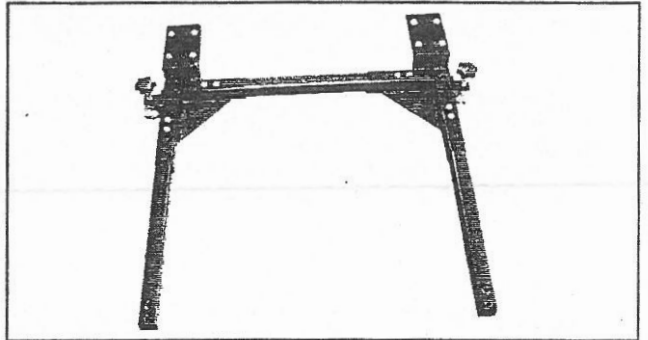
2. Attach a support tube to the castor mounting bracket as shown using two short flanged hex head bolts.



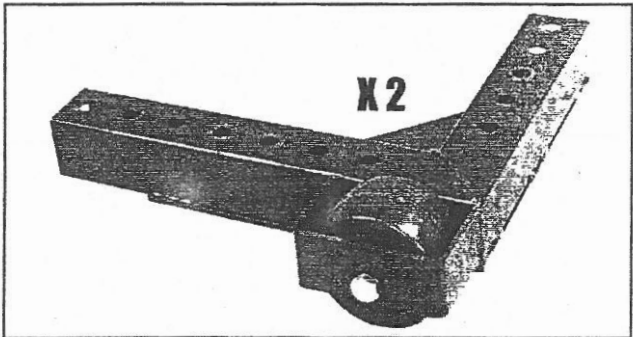
3. Attach the right castor mounting bracket to the other end of the support tube. **Note:** There are several mounting holes on each mounting bracket. Use your machine depth (measurement "B" from Step 1) as a reference, to adjust the width to fit the width of your machine.



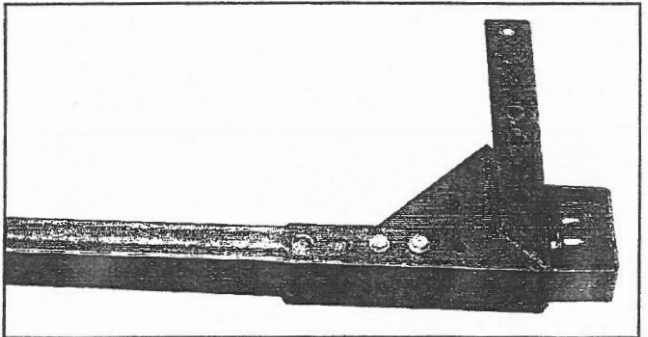
4. Attach a second support tube to the right castor mounting bracket as shown.



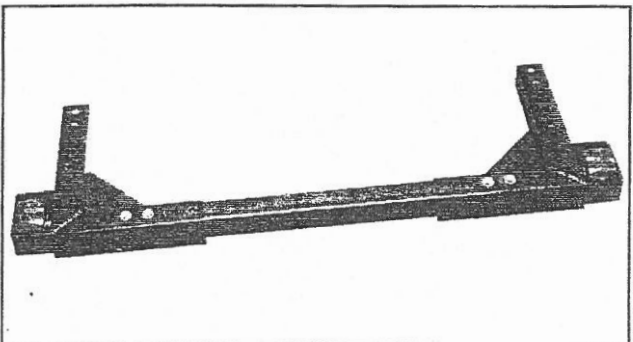
5. Attach a third support tube to the left castor mounting bracket as shown.



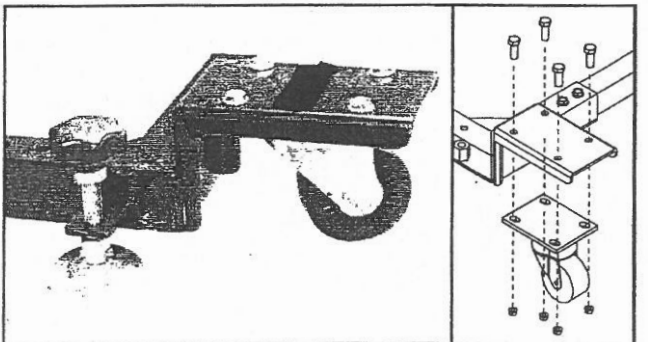
6. Attach the two fixed wheel to the wheel mounting brackets as shown, using the supplied long hex head bolt.



7. Attach a support tube to the wheel mounting bracket using two short flanged hex head bolts as shown.



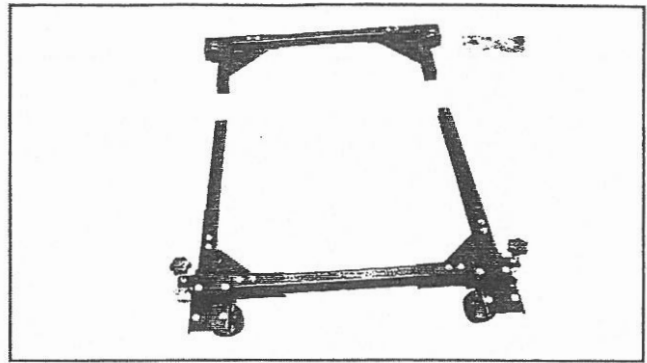
8. Attach the other fixed wheel mounting bracket to the support tube as shown.



9. Attach a castor to one castor mounting bracket using four long flanged hex head bolts with flanged nuts, in the assembly order shown above. Repeat with the other castor and mounting bracket.

10. Using your machine length (measurement "A" from Step 1) as a reference, assemble the front and rear sub-assemblies, adjusting the length to fit the length of your machine.

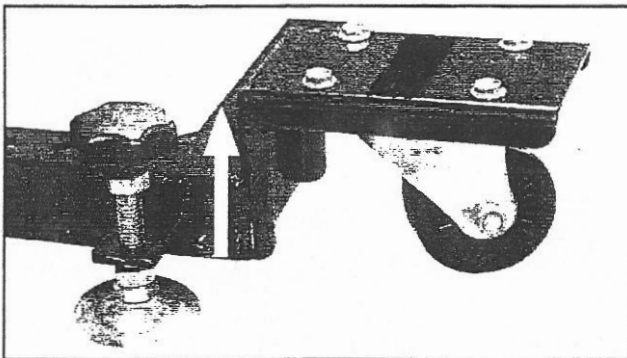
YOUR MOBILE BASE ASSEMBLY SHOULD NOW BE COMPLETED. BEFORE ATTEMPTING TO INSTALL THE MACHINE ON THE BASE, DOUBLE CHECK ALL MEASUREMENTS TO ENSURE THAT THE MACHINE WILL FIT ONTO THE BASE WITHOUT PROBLEMS. LENGTHEN OR SHORTEN-UP ANY BASE DIMENSIONS AS NEEDED, THEN RE-CHECK YOUR MEASUREMENTS. YOU ARE NOW READY TO INSTALL YOUR MACHINE ONTO YOUR MOBILE BASE.



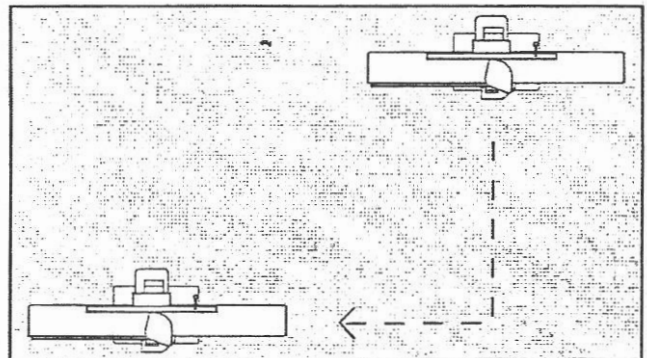
MAKE SURE THE WHEELS ARE LOCKED AND THE MACHINE HAS BEEN IMMOBILIZED BEFORE STARTING THE MACHINE.

NOTE: FOLLOW THE MANUFACTURER'S RECOMMENDATIONS FOR HANDLING OR LIFTING THE MACHINE. MAKE SURE TO HAVE ADEQUATE HELP AVAILABLE FOR LIFTING - DO NOT OVER EXERT!

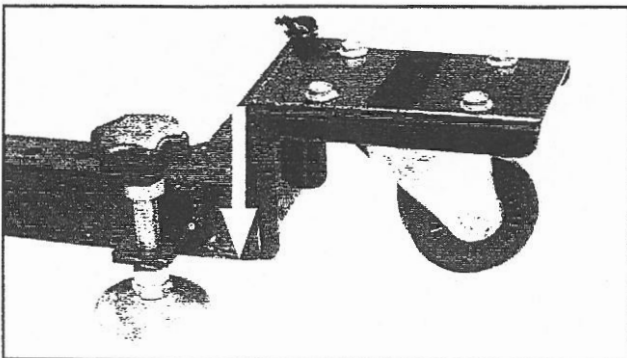
OPERATING INSTRUCTIONS



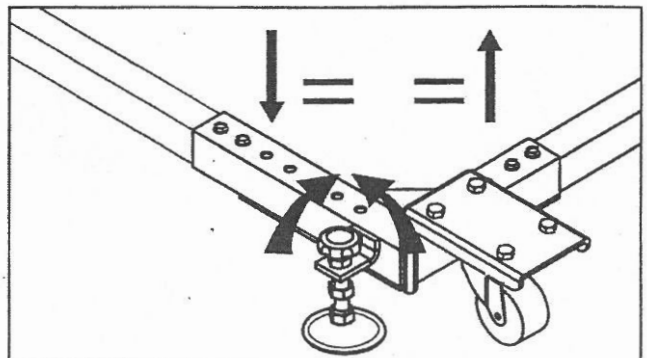
1. Loosen the two lock knobs to disengage the wheels.



2. Move the machine to desired location in the shop.



3. Tighten the two lock knobs to lock the wheels in place.



4. On uneven surfaces, adjust the nut along the locking handles to level the base and keep the machine from rocking when in use.